

GENERAL FEATURES

- Low coil power (5,5 W for DC, 6 - 8,5 VA form AC) and current
- Suitable for non-aggressive liquids (water, light oil (2E), diesel oil etc...), gaseous fluids (air, inert gases etc...)
- Working Temperature : -10°C / +160°C
- Not suitable for use with dangerous fluids listed in Group 1
- Don't require any differential pressure
- Compact and low weight valve enabling easy and quick installation
- High reliability, quality and performance; long life, corrosion resistance

COIL CHARACTERISTICS

Coils in the catalogue pages are identified by their electrical characteristics such as ;

Continuous Duty : ED %100
 Coil insulation class : H (180°C)
 Coil impregnation : Polyester Fiber Glass
 Coil Encapsulation Material : Fiber Glass Reinforced
 Minimum and maximum ambient temperature : from -10°C ; +60°C
 Protection degree : Generally IP 65 (EN 60529) with coil duty fitted with the plug connector
 Power : for DC 5,5 W, for AC 6 VA 8,5 VA
 Electric plug connection : DIN 46340 3-poles connectors (DIN 43650)
 Electrical safety : IEC 335
 Insulation class of insulating materials according to DIN VDE 0580
 Deg. of protection with mounted plug-in connector according to IEC 529

STANDARD VOLTAGES

The standard voltages indicated in the catalogue are as follows ;

Standard Voltages : For AC 12V , 24V , 48V , 110V , 230V
 For DC 12V , 24V , 48V , 110 V

Other voltage on request
 Voltages Tolerance : For AC %-15 ; %+10 , For DC %-5 ; %+10
 Frequency : 50 Hz, other frequencies on request (60 Hz)
 On request connector with LED

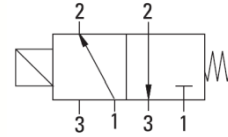
MATERIALS IN CONTACT WITH FLUID

Body : Brass
 Internal Parts : Stainless Steel
 Sealing : FPM (VITON)
 Shading Ring : Copper
 Seats : Brass
 Core Tube : Stainless Steel
 Springs : Stainless Steel

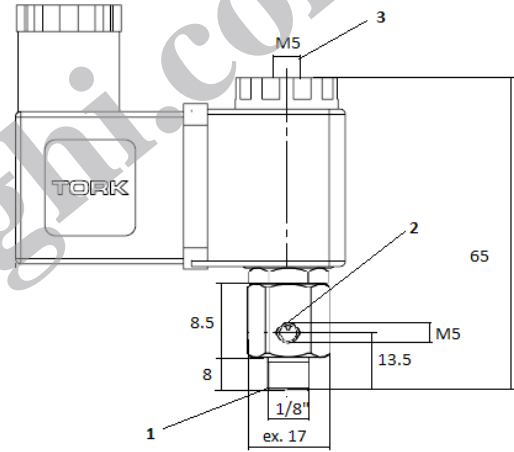
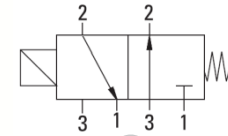
TECHNICAL FEATURES

Max Viscosity : 5°E (-37cSt or mm²/s)
 Response Time : Opening Time : 30 ms, Closing Time : 30 ms,
 Maximum Allowable Pressure : 30 bar

NORMALLY CLOSED



NORMALLY OPEN



Valve Type	Connection Size	Orifice Size	Pressure min/max		Kv	Diaphragm	Weight
S1067	G	mm	Bar	Bar	Lt/min	VITON	kg
NORMALLY CLOSED							
S1067.00.015	1/8"	1.5	0	10	0.9	✓	0.2
NORMALLY OPEN							
S1068.00.015	1/8"	1.5	0	10	0.9	✓	0.2